

Love For All

A Christian Reflection on
Black Lives Matter for Children



Film



Who did Jesus
show love to?

What did Jesus do?

How do you think
they might have felt
to receive such love?

An illustration featuring two stylized profiles of Black people's heads, one on the left and one on the right, facing each other. The background is a light, speckled teal color. In the center, the words "BLACK LIVES MATTER" are written in a simple, hand-drawn, black-outlined font. The word "BLACK" is on the top line, "LIVES" is on the middle line, and "MATTER" is on the bottom line. The overall style is minimalist and graphic.

BLACK
LIVES
MATTER

If
yo

The BLM movement is
showing the world how unfair
it is to Black people.

This unfairness is called
racism.



pun
and y
he gave re

Black Lives Matter



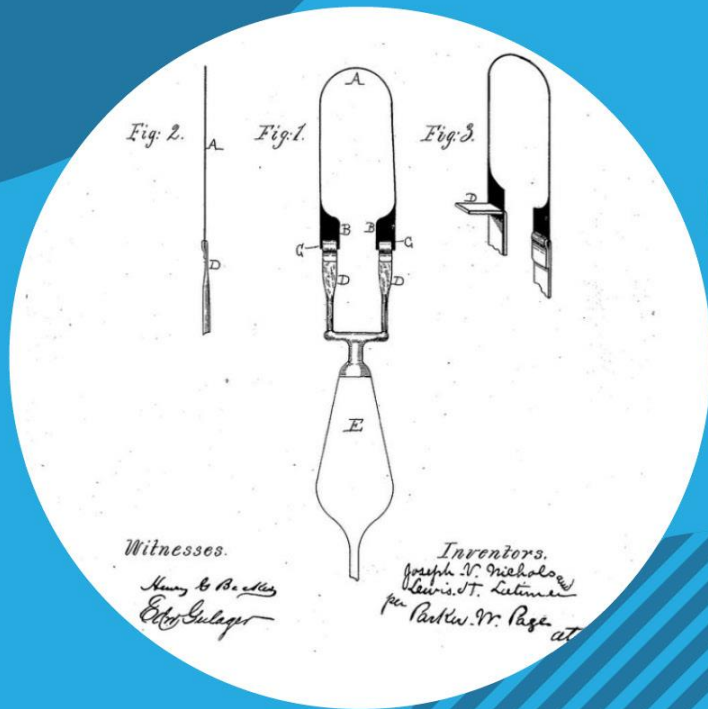
What does 'anti-racist' mean?

To be 'anti-racist' is to stand against racism in all its forms, whenever and wherever you see it.

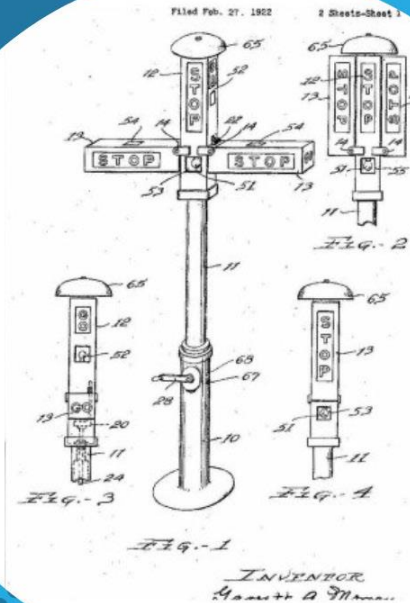
What does 'white privilege'
mean?

'White privilege' means that white people don't experience difficulties and hardship because of the colour of their skin, whereas Black people do.

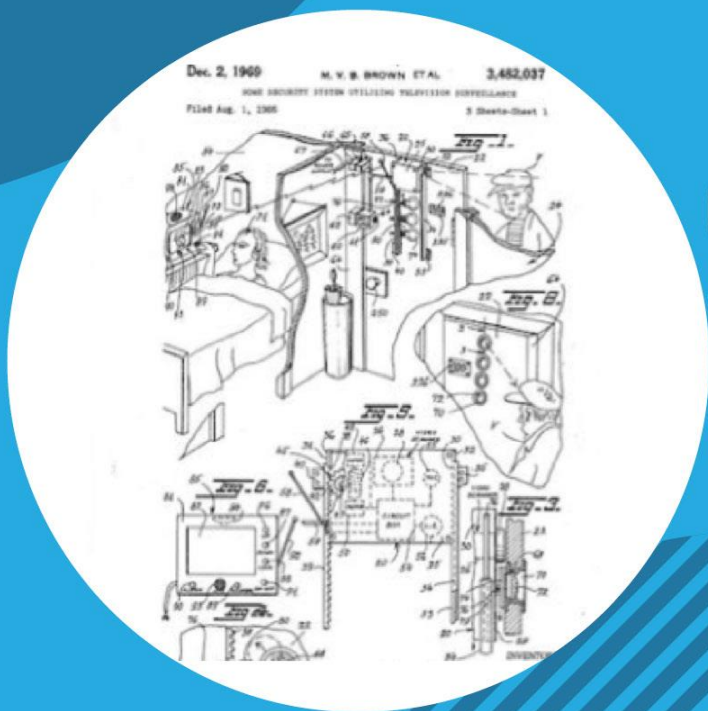
Black Lives Matter: Lewis Latimer



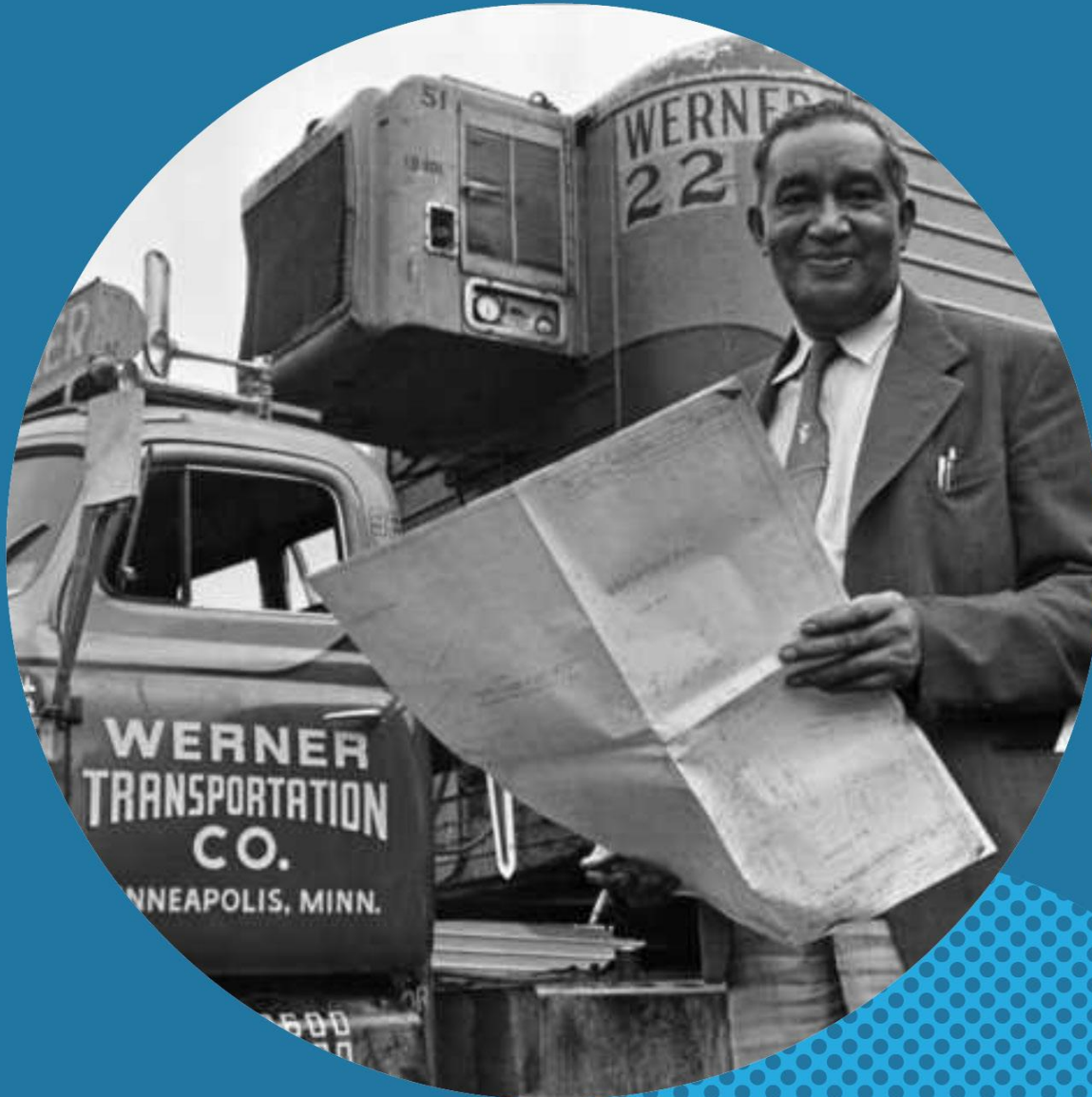
Black Lives Matter: Garrett Morgan



Black Lives Matter: Marie van Brittan Brown



Black Lives Matter:
Frederick
McKinley Jones



Black Lives Matter: Mark Dean



An illustration featuring two stylized heads of Black individuals in profile, facing each other. The head on the left is dark brown with black hair, and the head on the right is a lighter brown with dark blue hair. The background is a light teal color with a fine, white, speckled texture. In the center, between the two heads, the words "BLACK LIVES MATTER" are written in a simple, hand-drawn, black-outlined font, arranged in three lines.

BLACK
LIVES
MATTER

BLACK
LIVES
MATTER



Love For All

A Christian Reflection on
Black Lives Matter for Children

