

Name _____

Date _____



PERIMETER SHEET 2

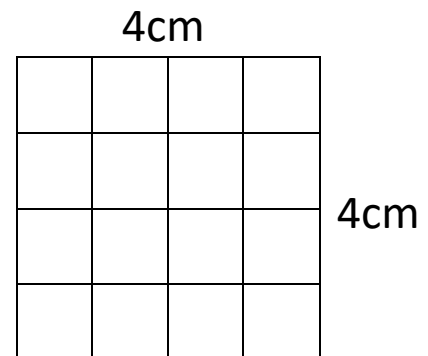
Work out the perimeter of the following rectangles:

1)



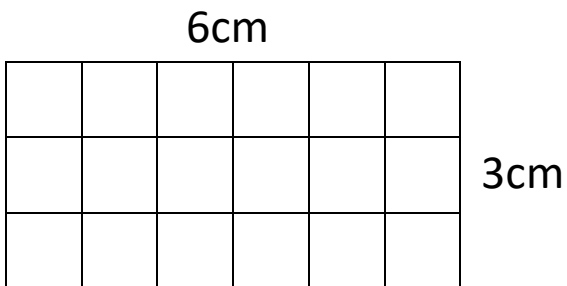
Perimeter = _____ cm

2)



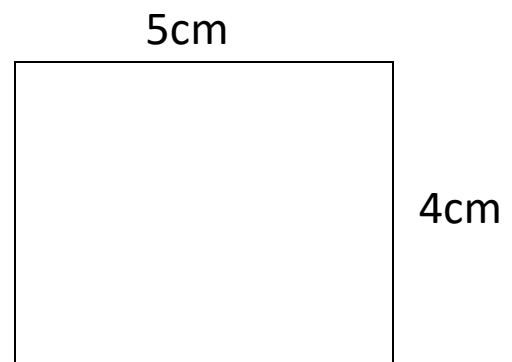
Perimeter = _____ cm

3)



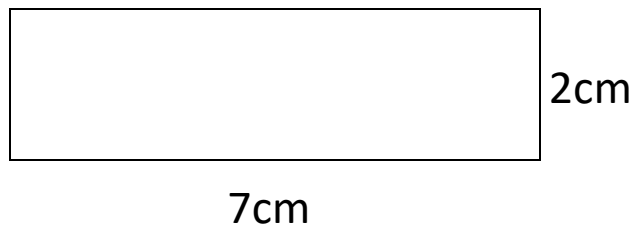
Perimeter = _____ cm

4)



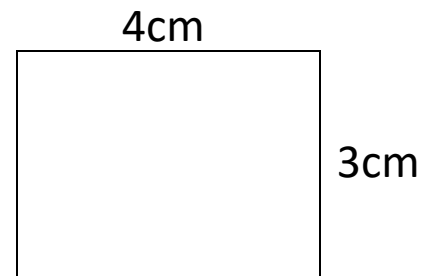
Perimeter = _____ cm

5)



Perimeter = _____ cm

6)



Perimeter = _____ cm

Handy Hint: The formula for the perimeter of a rectangle is:

$$2 \times (\text{length} + \text{width})$$





PERIMETER SHEET 2 ANSWERS

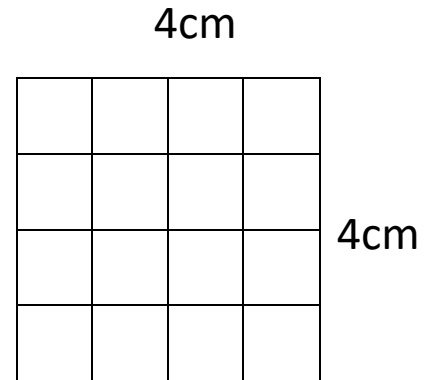
Work out the perimeter of the following rectangles:

1)



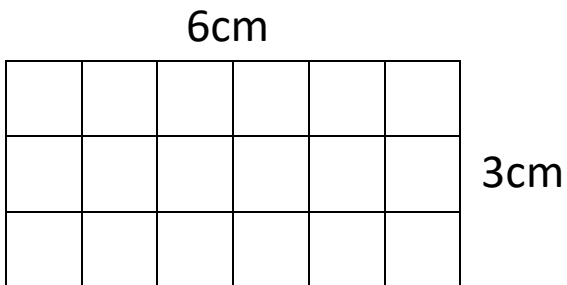
$$\text{Perimeter} = 5+2+5+2 = 14 \text{ cm}$$

2)



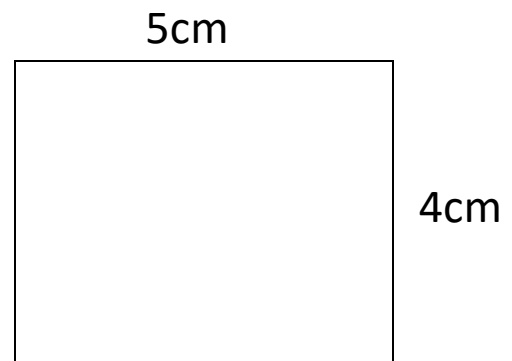
$$\text{Perimeter} = 4+4+4+4 = 16 \text{ cm}$$

3)



$$\text{Perimeter} = 6+3+6+3 = 18 \text{ cm}$$

4)



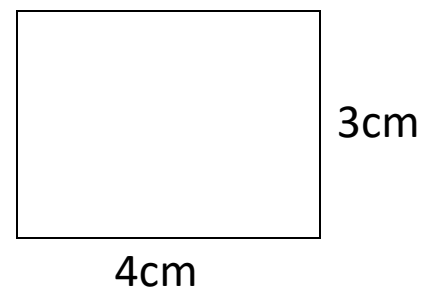
$$\text{Perimeter} = 5+4+5+4 = 18 \text{ cm}$$

5)



$$\text{Perimeter} = 7+2+7+2 = 18 \text{ cm}$$

6)



$$\text{Perimeter} = 4+3+4+3 = 14 \text{ cm}$$

